

www.powerplus.us



OVER   
**48**  
YEARS OF TRUST



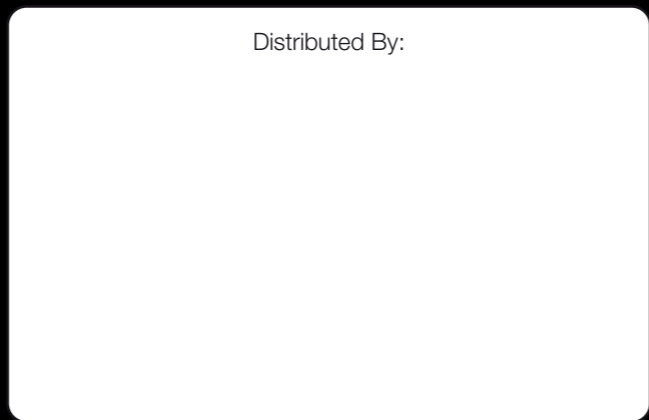
**International Division**

POWERPLUS GROUP PTE. LTD.  
Powerplus Building  
39 Ubi Crescent, Singapore 408587  
Tel: (65) 63399333  
Fax: (65) 63399933  
Email: enquiry@powerplus.us

**Research & Development Facility**


POWERPLUS GROUP INC., U.S.A.  
2130 N. Arrowhead Avenue,  
San Bernardino, CA 92405, USA  
Tel: (1) 909 300 3333  
Fax: (1) 909 323 3333  
Email: hq@powerplus.us

Distributed By:



POWERPLUS is the registered TM of POWERPLUS GROUP INC., USA  
in the United States of America & Worldwide

All rights of manufacturer and of this book reserved. Unauthorized duplication is a violation of application law.

Part of:  WORLDWIDE TECHNO-EQUIPMENT GROUP (1973) PTE. LTD.

**SKID STEER**

PSL550S-III • PSL750S-III • PSL850S-III • PSL1000S-III • PSL1100S-III • PSL1200S-III

**CORPORATE OVERVIEW**

POWERPLUS GROUP INC., USA, a leading global manufacturer of a comprehensive range of construction equipment, is part of Worldwide Techno-Equipment Group (1973) Pte Ltd. Established since 1973, POWERPLUS GROUP has evolved into a world-renowned organization that offers machinery unparalleled in price, quality and performance.

POWERPLUS machinery is manufactured with enhanced capacities to exceed even the most stringent international standards of quality and safety. With the aim of producing machinery that is able to withstand even the most extreme climatic conditions and rugged terrains, POWERPLUS Research & Development team which has its Headquarters in the United States, has been the backbone behind all its innovative engineering solutions.

Optimizing the best of technology from the United States, Europe and Japan, POWERPLUS machinery is configured to its ideal technical capabilities. A multinational team of engineers analyzes the data collected from our network of distributors worldwide and are on the constant lookout for ways to maximize the life-span of POWERPLUS machinery.

Today the Company's clientele spans over 100 countries across 6 continents.

At the forefront of setting quality standards, every POWERPLUS machine undergoes a technical review after 2 years and is tested rigorously before a new model is churned out of its production facility.

With an emphasis on delivering value and excellent after-sales service to our customers, the POWERPLUS experience outshines and outclasses its competitors in all aspects.

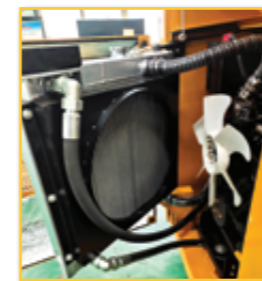


SKID STEER LOADER		PSL550S-III	PSL750S-III	PSL850S-III
Operating Load	kg	550	750	850
Bucket Capacity	m³	0.3	0.5	0.55
Overall Length	mm	3080	3420	3490
Overall Width	mm	1400	1740	1880
Overall Height	mm	2000	2140	2160
Maximum Travel Speed	km/h	10	12	12
Bucket Width	mm	1400	1740	1880
Wheelbase	mm	897	991	991
Ground Clearance	mm	140	185	205
Tread Width	mm	1080	1450	1500
Dumping Reach	mm	790	710	750
Rollback Of Bucket At Full Height	°	104	104	104
Rollback Of Bucket On Ground	°	30	30	30
Maximum Dump Angle	°	40	40	40
Angle Of Departure	°	20	20	20
Fuel Capacity	L	60	60	60
ENGINE				
Model		YANMAR 4TNE92	YANMAR 4TNE92 / YANMAR 4TNE98*	YANMAR 4TNE98 / MITSUBISHI S4S
Rated Power	hp	42	42 / 58	58 / 63
Rated Speed	rpm	2450	2450 / 2300	2300 / 2500
Emission Standard		Euro III	Euro III / III	Euro III / III
OPERATION SPECIFICATIONS				
Tipping Load	kg	1000	1400	1700
Weight Of Machine With Bucket	kg	2300	3100	3250
Front Turning Radius	mm	1760	1958	1958
Rear Turning Radius	mm	1296	1630	1728
Total Cycling Time	sec	10	10	10.5
Rated Flow	L/min	60	75	75
HYDRAULIC SYSTEM				
Main Pump		HANSA	DANFOSS / PWG	PWG
Main Motor		DANFOSS	EATON	EATON
TIRES				
Size		8.5-15-10PR	10-16.5-10PR	12-16.5-12PR

\*For air-con configuration



Safety Bar



Easy Maintenance

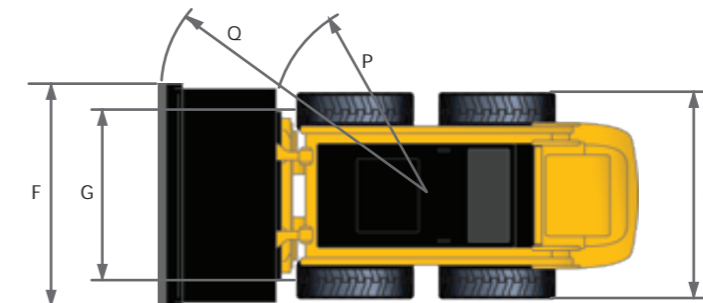
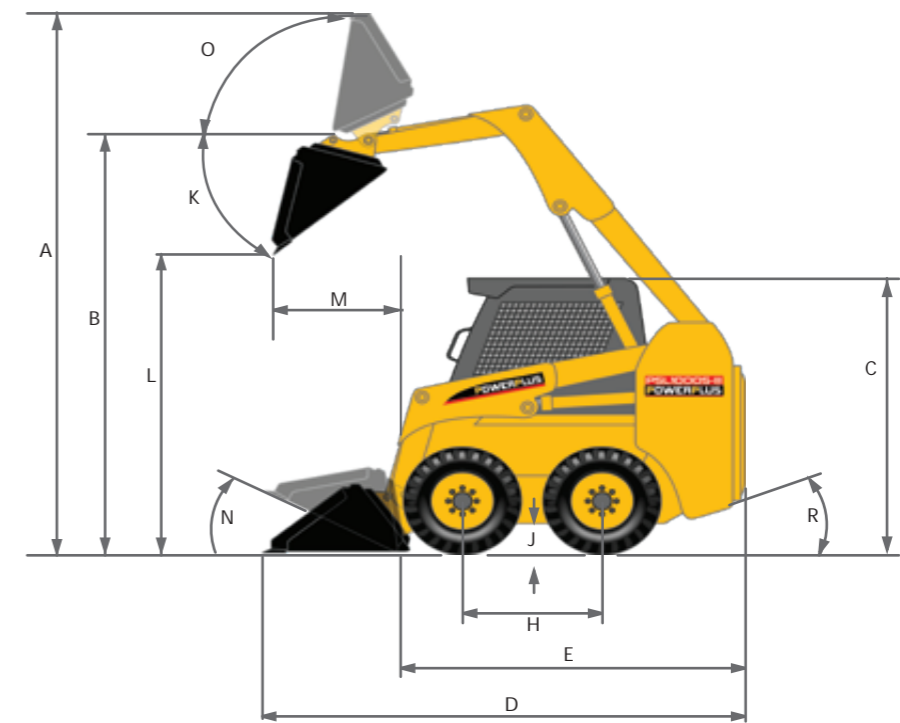


Attachments Interchangeability

As our products are upgraded periodically, we reserve all rights to change any information without prior notice.

SKID STEER LOADER		PSL1000S-III	PSL1100S-III	PSL1200S-III
Operating Load	kg	1000	1100	1200
Bucket Capacity	m <sup>3</sup>	0.6	0.6	0.6
Overall Length	mm	3490	3580	3580
Overall Width	mm	1880	1880	1880
Overall Height	mm	2160	2160	2160
Maximum Travel Speed	km/h	12	12	12
Bucket Width	mm	1880	1880	1880
Wheelbase	mm	1085	1115	1185
Ground Clearance	mm	205	205	205
Tread Width	mm	1500	1500	1500
Dumping Reach	mm	750	700	700
Rollback Of Bucket At Full Height	°	104	104	104
Rollback Of Bucket On Ground	°	30	30	30
Maximum Dump Angle	°	40	40	40
Angle Of Departure	°	20	20	20
Fuel Capacity	L	75	75	90
ENGINE				
Model		YANMAR 4TNE98T / MITSUBISHI S4S	YANMAR 4TNE98T / MITSUBISHI S4S	CUMMINS 4BT3.9-C100
Rated Power	hp	86 / 75	86 / 75	100
Rated Speed	rpm	2500	2500	2400
Emission Standard		Euro III / III	Euro III / III	Euro II
OPERATION SPECIFICATIONS				
Tipping Load	kg	1900	2000	2400
Weight Of Machine With Bucket	kg	3350	3500	3550
Front Turning Radius	mm	2030	2112	2114
Rear Turning Radius	mm	1728	1774	1892
Total Cycling Time	sec	11.5	12	12
Rated Flow	L/min	80	80	80
HYDRAULIC SYSTEM				
Main Pump		REXROTH	REXROTH	REXROTH
Main Motor		POCLAIN	REXROTH	REXROTH
TIRES				
Size		12-16.5-12PR	12-16.5-12PR	12-16.5-12PR

DIMENSIONS		PSL550S-III	PSL750S-III	PSL850S-III	PSL1000S-III	PSL1100S-III	PSL1200S-III
A	mm	3300	3980	4000	4070	4070	4070
B	mm	2725	3080	3100	3100	3150	3150
C	mm	2000	2140	2160	2160	2160	2160
D	mm	3080	3420	3490	3490	3580	3580
E	mm	2300	2640	2750	2750	2880	2880
F	mm	1400	1740	1880	1880	1880	1880
G	mm	1080	1450	1500	1500	1500	1500
H	mm	897	991	991	1085	1115	1185
I	mm	1350	1720	1880	1880	1880	1880
J	mm	140	185	205	205	205	205
K	°	40	40	40	40	40	40
L	mm	2050	2380	2400	2400	2450	2450
M	mm	790	710	750	750	700	700
N	°	30	30	30	30	30	30
O	°	104	104	104	104	104	104
P	mm	1098	1168	1198	1204	1250	1278
Q	mm	1760	1958	1958	2030	2112	2144
R	°	20	20	20	20	20	20



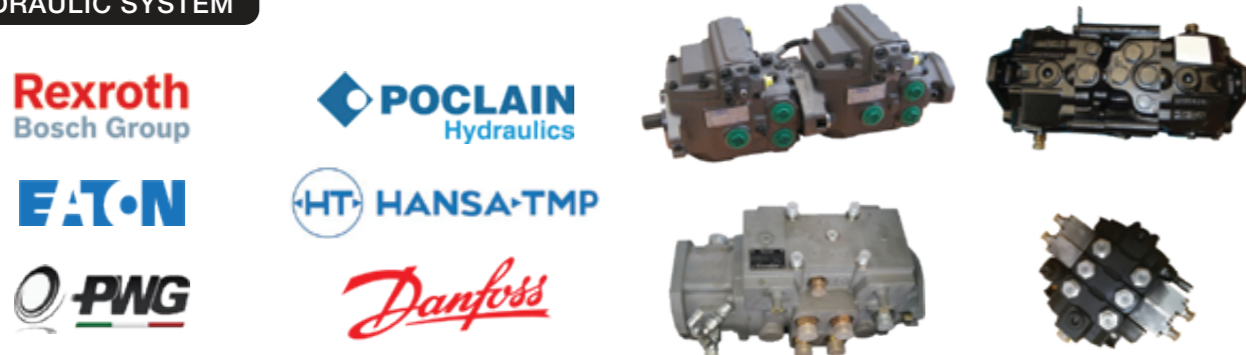
As our products are upgraded periodically, we reserve all rights to change any information without prior notice.



ENGINE



HYDRAULIC SYSTEM



GLOBAL NETWORK DISTRIBUTION

POWERPLUS is committed to creating long-term value for its customers, partners and stakeholders. Our Service Centers are strategically located in major construction, industrial and manufacturing hubs in key regions around the world.

Given our years of experience in the industry, it is no doubt that our customers can always rely on us for the expertise, services and solutions we provide. Most importantly, you will find our after-sales service a satisfying experience at all our Service Centers worldwide.

DURABILITY, RELIABILITY & AFFORDABILITY

POWERPLUS Parts and Service Centers provides a convenient channel for you to order the original spare parts through a network of highly certified OEM manufacturers and an effective distribution of spare parts through our global network of vendors.

From determining the correct part number to locating and ordering, we are committed to working round-the-clock for timely solutions and delivery to ensure we serve our customers promptly and efficiently.

Coupled with affordable parts prices and high interchangeability across the POWERPLUS machinery range, we take pride in being able to offer value to our customers with cost-effective solutions. Most importantly, you are able to retain the machines with high residual value to enhance your return on investment.



SERVICE

Delivering Unsurpassed Customer Service - Because You Matter.

Our dedicated team of customer service executives, skilled engineers and technicians are well-trained to ensure timely and propitious support throughout the customer life cycle. With a comprehensive dealer network coverage and service facilities support, POWERPLUS dedicated team of account managers and service teams from the Customer Service Charter are trained to respond to your queries and requests promptly and efficiently.

To deliver more, our service package includes educating our customers with training, maintenance and servicing to ensure customers are empowered to utilize the machines at its best; therefore optimizing the machine's performance and increasing uptime.

At POWERPLUS, we strive to build and maintain long-term relationships with each and every client based on trust, integrity and professionalism.

